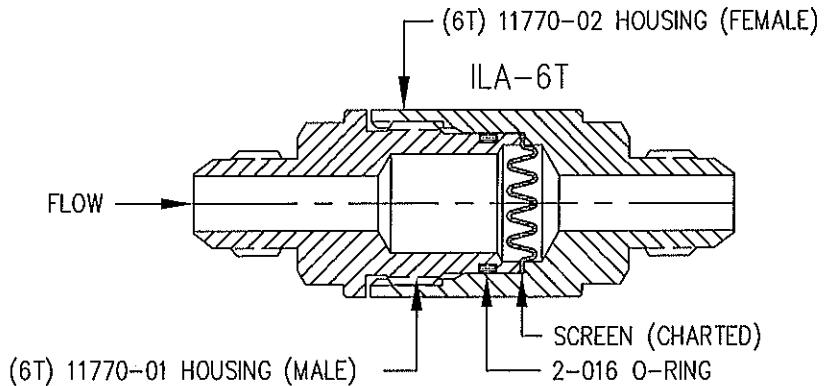
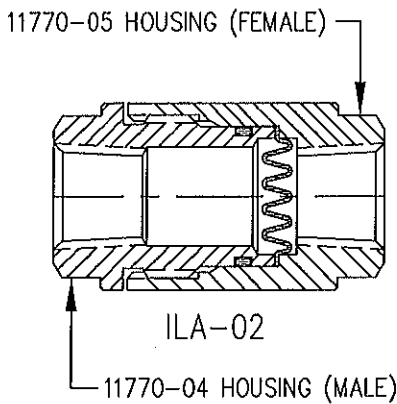


3/8 TUBE 37° FLARE SIZE 6
9/16-18 UNF-2A THREAD

LASER ENGRAVING



REPLACEMENT ELEMENTS

PART NO.	MICRON	MESH
6180-595W	595	30x30
6180-01	238	60x50
6180-05	149	100x90
6180-02	74	50x250
6180-03	40	50x246
6180-09	25	165x800
6180-10	10	200x1400

©

MODEL CODE

MODEL	CONNECTING SIZE	MICRON	MEDIA	SEALS	COLOR
ILA	02 1/4" NPT	595	STAINLESS	NO SYMBOL	BK
		238	STEEL	BUNA N	BLACK
		149	WIRE		BL
	6T 3/8 TUBE	74	CLOTH	F3	BLUE
		40		VITON	RD
		25			RED
		10			

MODEL EXAMPLE: ILA-02-74-F3-BK

SPECIFICATIONS

PRESSURE = 250 PSI
FLOW RATE = UP TO 2 GPM
FILTRATION AREA = 1 SQ IN.
WEIGHT = 3 OUNCES

DISC FILE 72F-89F 343F
DR. C DAY DATE 12-18-97
CH. DATE
SCALE

C	ADDED 10 MICRON ELEMENT	D BALL	08-17-05
B	REMOVED 8T	D BALL	08-17-05
A	ADDED 8T	C DAY	01-07-99
LETTER	REVISION	BY	DATE

<p>FLOW EZY FILTERS, INC. ANN ARBOR, MICHIGAN</p>	TITLE	FILTER ASS'Y	
		ILA SERIES	
	DRAWING NO.	11770-10	REV. C