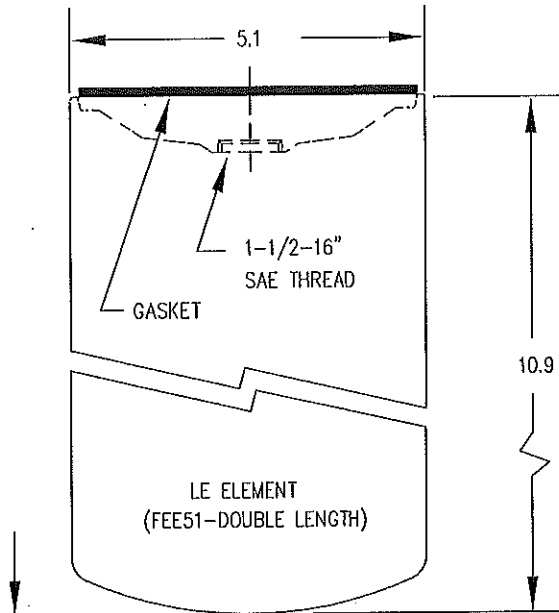


LE SERIES (FEE51-DOUBLE LENGTH) SPIN-ON ELEMENT

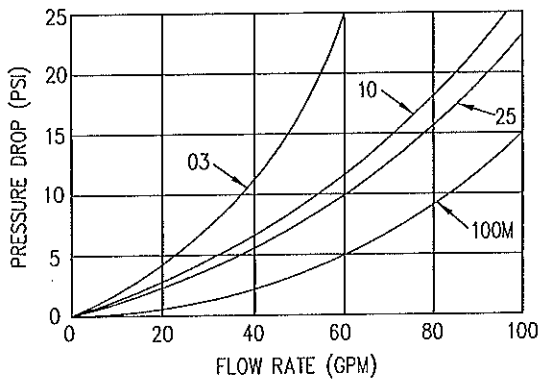


Allow 1.5" Clearance For
Element Removal

How To Order: LE-XX

Code	Element
03	Micron Cellulose
10	Micron Cellulose
25	Micron Cellulose
100M	100 Mesh Stainless Steel Wire Cloth

Average Pressure Drop
Thru Clean Filter Assembly
With 150 SSU Oil At 105° F.



Flows Up To: 105 GPM (Return) 38 GPM (Suction)

Thread Size 1-1/2"-16 SAE THREAD

Media Area 1710 Square Inches

Gasket Dim 5 OD x 4-5/8 ID x 3/16 Thick
(Wide Track) 5 OD x 4-3/8 ID x 5/16 Thick

Pressure: 200 PSI Max Operating
Warning: 80 PSI ΔP max.
without by-pass valve.

Temperature: -65 to +250° F. Operating

Application: Petroleum based fluids only.

DISC FILE
DB ZIP-1

DR.
D BALLANTINE

DATE
9-28-05

SCALE



FLOW EZY
FILTERS, INC.
ANN ARBOR, MICHIGAN

TITLE

LE SERIES
SPIN-ON ELEMENT

DRAWING
NO. 12136-03

REV.