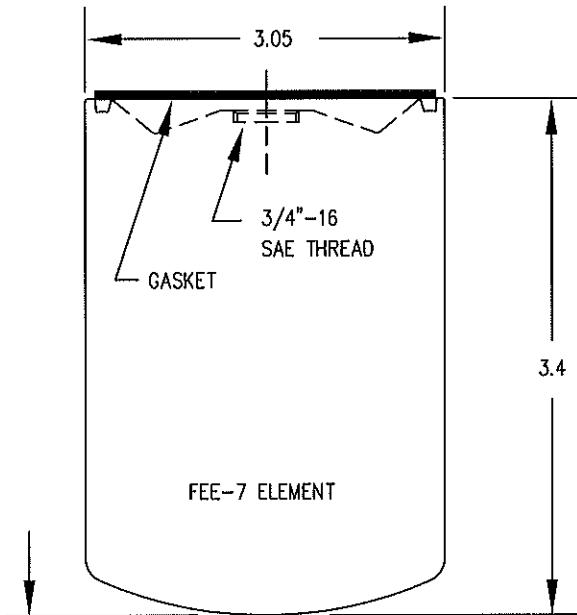


# FEE-7 SERIES SPIN-ON ELEMENT



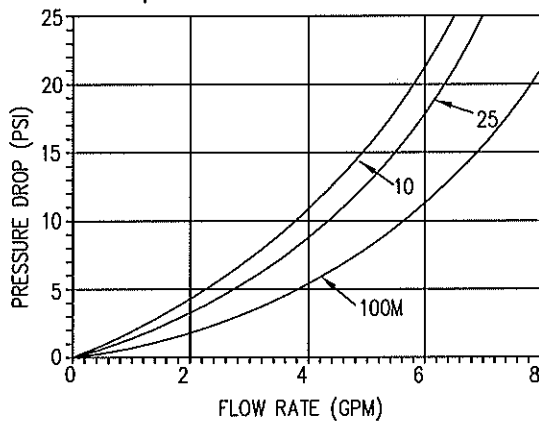
Allow .63" Clearance For  
Element Removal

How To Order: FEE-7-XX-18

Code	Element
10	Micron Cellulose
25	Micron Cellulose
100M	100 Mesh Stainless Steel Wire Cloth

18 PSI BY-PASS OPTION

Average Pressure Drop Thru Clean Filter  
Assembly With 150 SSU Oil At 150° F.



Flows Up To: 7 GPM (Return) 2 GPM (Suction)

Thread Size 3/4"-16 SAE THREAD

Media Area 117 Square Inches

Gasket Dim 2-11/16 OD x 2-7/16 ID x .22 Thick

Pressure: 200 PSI Max Operating  
Warning: 80 PSI  $\Delta$ P max.  
without by-pass valve.

Temperature: -65 to +250° F. Operating

Application: Petroleum based fluids only.

DISC FILE  
DB ZIP-1

DR.  
D BALLANTINE

DATE  
9-28-05

SCALE



FLOW EZY  
FILTERS, INC.  
ANN ARBOR, MICHIGAN

TITLE

FEE-7 SERIES  
SPIN-ON ELEMENT

DRAWING  
NO. 12136-04

REV.