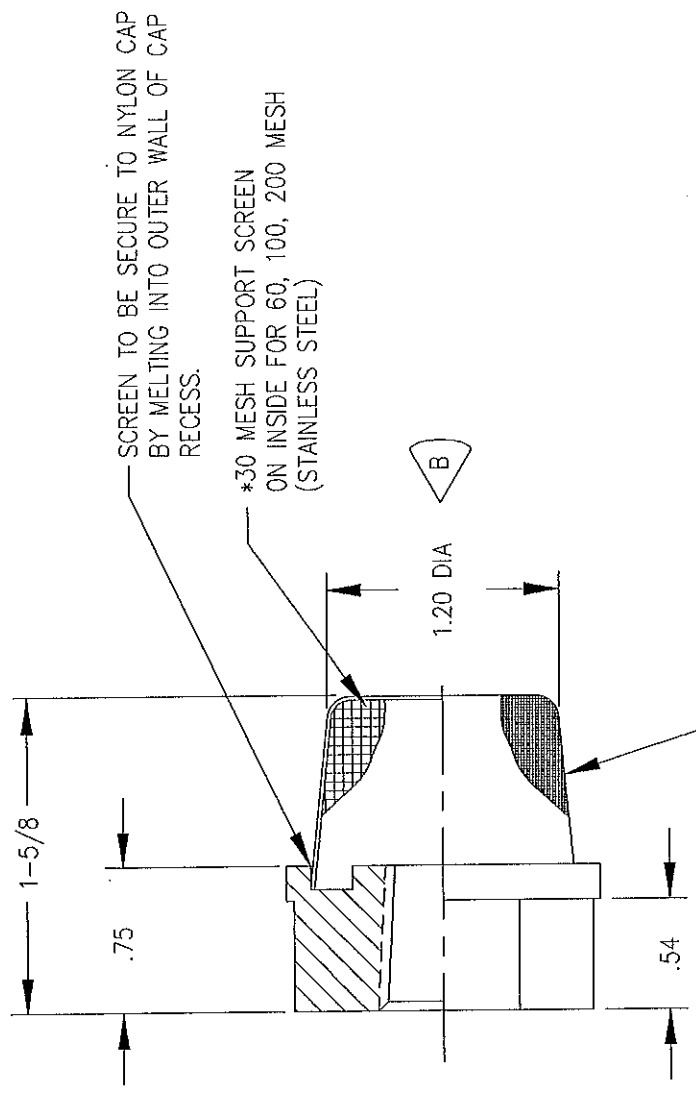


-NPT (SEE CHART)




PART NO.	NPT
6608	1/8
	1/4
	3/8
	1/2
	3/4

CHART

MODEL	NPT SIZE	SCREEN AREA IN ²	MESH SIZE
F-01	1/8	3.5	4
F-02	1/4		6
F-03	3/8		8
F-04	1/2		10
F-05	3/4		20
TOLERANCES			
3 PLACE DEC.		±	1/16
2 PLACE DEC.		±	±
1 PLACE DEC.		±	±
OTHER ANGULAR		±	±
MACHINED SURFACES		DEBURR ALL EDGES .002 TO .007	
		FILLETS .01 TO .02 RADIUS	
MODEL EXAMPLE:		F-02-100/30	

LETTER	REVISION	BY	DATE
B	REVISED TO LARGER SCREEN O.D.		10-31-95
A	ADDED 3/4 NPT		01-17-91

DO NOT SCALE DRAWING	DISC FILE NO. 16F, 68F	MATERIAL	TITLE	
UNLESS OTHERWISE SPECIFIED DIMENSIONS ARE IN INCHES	ASSY REF.		SUCTION SCREEN	
TOLERANCES		 <p>FLOW EZY FILTERS, INC. ANN ARBOR, MICHIGAN 48106</p>	REF. 8156	
3 PLACE DEC.	±		ITEM NO.	SHEET OF
2 PLACE DEC.	±		DRAWING NO.	REV. B
1 PLACE DEC.	±	SCALE FULL		