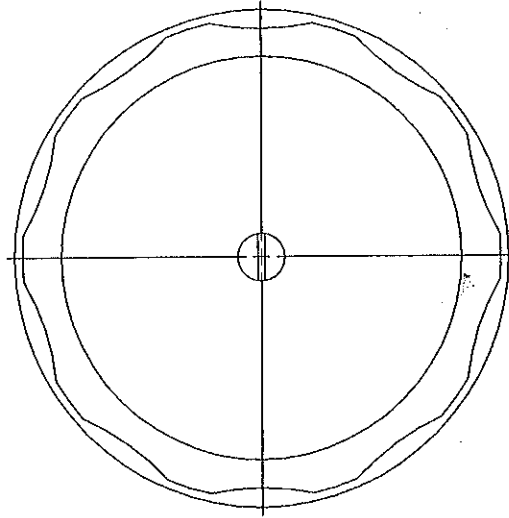
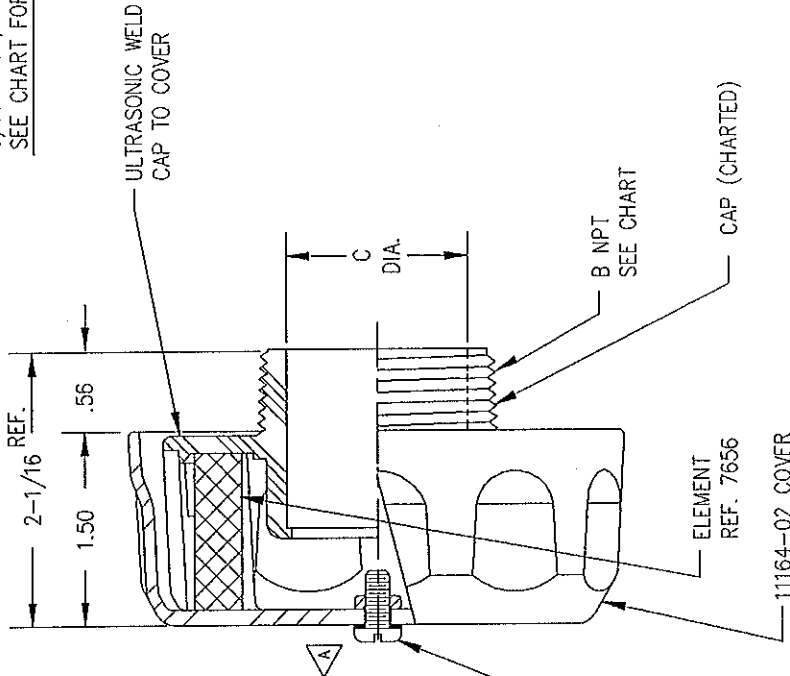
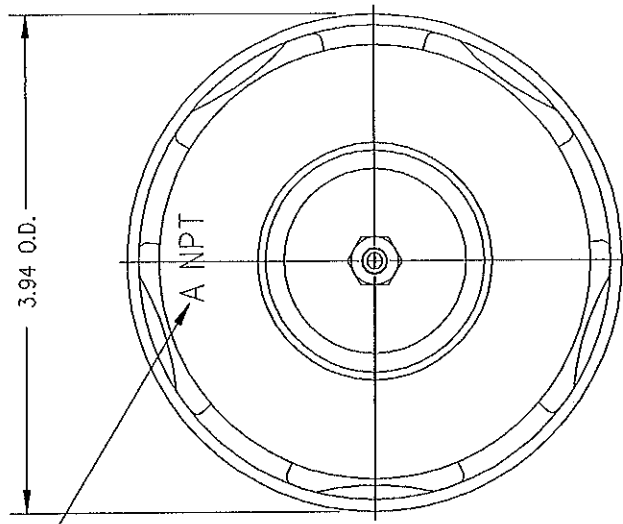


3/16" HIGH, RAISED  
SEE CHART FOR SIZE



PAN HD. MACHINE SCREW  
10-24 x 1/2 (STAINLESS STEEL)  
WASHER (NYLON) 13/64 x 3/8 x 1/32  
HEX NUT 10-24 (STAINLESS STEEL)

CHART

MODEL	CAP PART NO.	A NPT	B NPT	C DIA.
NBFG-2010-WP	7402-03	1/4"	1/4"	1/4"
NBFG-2011-WP	7402-04	3/8"	3/8"	
NBFG-2012-WP	7402-05	1/2"	1/2"	
NBFG-2013-WP	7402-06	3/4"	3/4"	
NBFG-2014-WP	7402	1"	1"	7/8
NBFG-2015-WP	7402-01	1-1/4"	1-1/4"	1-3/16
NBFG-2016-WP	7402-02	1-1/2"	1-1/2"	1-7/16



DO NOT SCALE DRAWING		DISC FILE NO. 4F, 18F	MATERIAL ABS	
UNLESS OTHERWISE SPECIFIED		ASSY REF.	TITLE ASSEMBLY - NBFG TANK BREATHER WEATHER PROOF 10 MICRON	
DIMENSIONS ARE IN INCHES			FLOW EZY FILTERS, INC. ANN ARBOR, MICHIGAN 48106	
TOLERANCES			ITEM NO. 11164-10	
3 PLACE DEC. ± .005	2 PLACE DEC. ± .015	1/32	DR. DATE 06-08-89	SHEET OF B
MACHINED SURFACES		DEBURR ALL EDGES .002 TO .007	CH. DATE	REV. NO.
		FILLETS .01 TO .02 RADIUS	SCALE NONE	REV. NO. 11164-10

LETTER	REVISION	BY	DATE
B	ADDED 3/8, 1/2, & 3/4 NPT	C DAY	02-13-96
A	DELETED RECESS FOR SCREW	C DAY	07-22-93