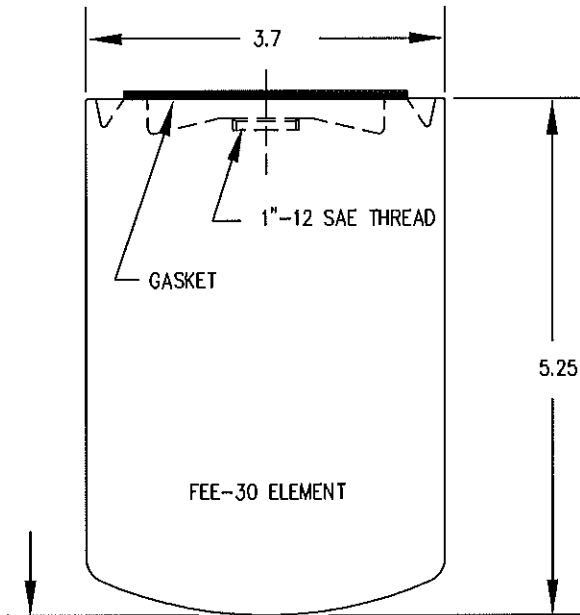


# FEE-30 SERIES SPIN-ON ELEMENT

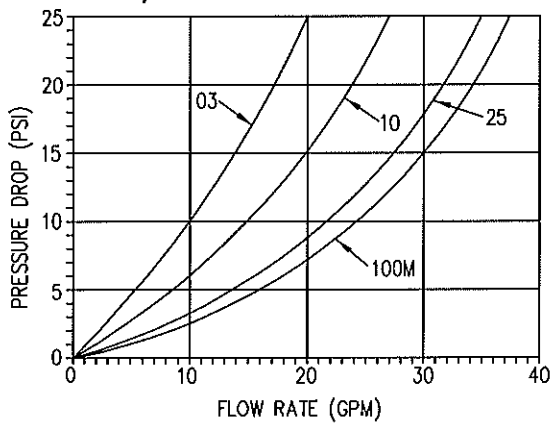


Allow .63" Clearance For  
Element Removal

How To Order: FEE-30-XX

Code	Element
03	Micron Cellulose
10	Micron Cellulose
25	Micron Cellulose
100M	100 Mesh Stainless Steel Wire Cloth

Average Pressure Drop Thru Clean Filter  
Assembly With 150 SSU Oil At 150° F.



Flows Up To: 25 GPM (Return) 9 GPM (Suction)

Thread Size 1"-12 SAE THREAD

Media Area 510 Square Inches

Gasket Dim 2-13/16 OD x 2-7/16 ID x 3/16 Thick

Pressure: 200 PSI Max Operating  
Warning: 80 PSI  $\Delta$ P max.  
without by-pass valve.

Temperature: -65 to +250° F. Operating

Application: Petroleum based fluids only.

DISC FILE  
OB ZIP-1

DR.  
D BALLANTINE

DATE  
9-27-05

SCALE



FLOW EZY  
FILTERS, INC.  
ANN ARBOR, MICHIGAN

TITLE

FEE-30 SERIES  
SPIN-ON ELEMENT

DRAWING  
NO. 12136-01

REV.