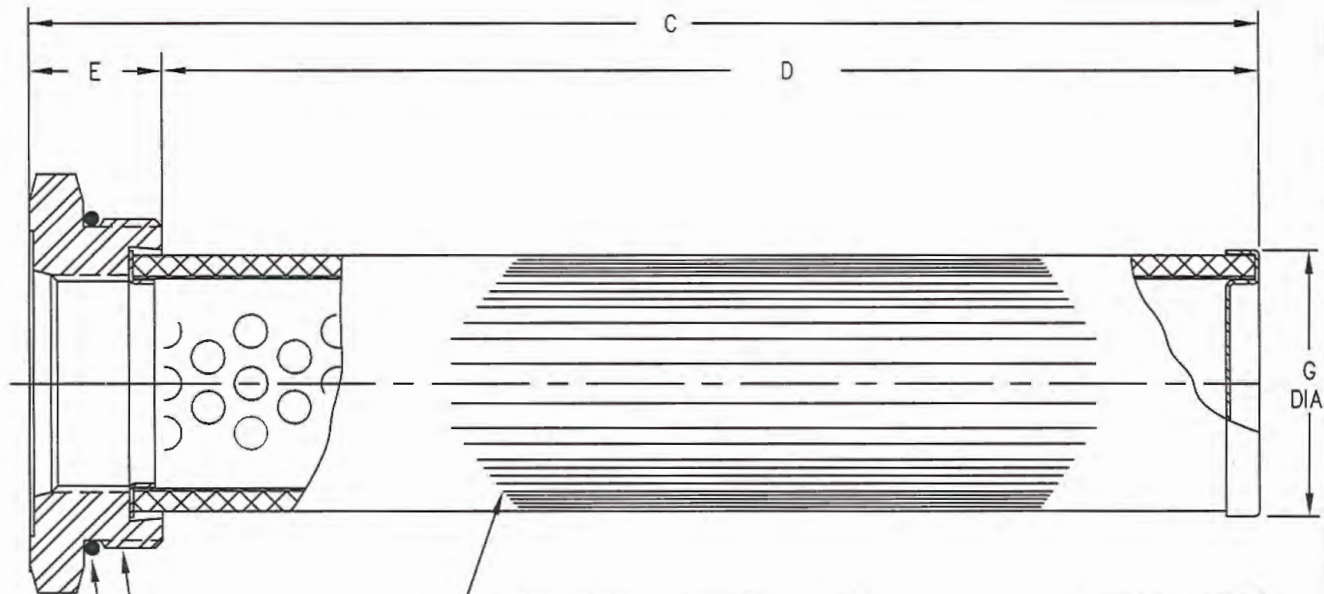
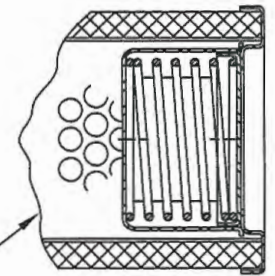


B SAE STRAIGHT THREAD  
SEE CHART



A SAE STRAIGHT THREAD  
SEE CHART  
O-RING SEE CHART

INNER SUPPORT TUBE (TIN PLATE)  
SCREEN-STAINLESS STEEL  
PLEATED WIRE CLOTH (ST. ST.)  
EPOXY BONDED JOINTS  
30, 60, 100, OR 200 MESH  
STANDARD S SERIES



RV3 BY PASS VALVE



MODEL	A THREAD	B THREAD	C	D	E	F HEX	O-RING	G
ST-5	1-5/16-12	3/4-16	5-3/8	4-3/8	1.00	1-1/2	3-916	1-1/16
ST-10	1-5/8-12	1-1/16-12	7-7/8	6-7/8	1.00	1-7/8	3-920	1-11/32
ST-15	1-7/8-12	1-5/16-12	8-9/32	7-3/8	1.00	2-1/8	3-924	1-21/32
ST-25	2-1/2-12	1-5/8-12	9-1/4	8-1/4	1.00	2-3/4	3-932	2-1/32
ST-30	2-1/2-12	1-7/8-12	9-1/4	8-1/4	1.00	2-3/4	3-932	2-1/32
ST-50	3-3/8-12	2-1/2-12	9"	8"	1.00	3-3/4	2-236	2-7/8

D	ADDED RELIEF VALVE	D BALL	02-07-06
C	WAS 10439-11	C DAY	03-03-98
B	ADDED ST-30 & ST-50	C DAY	04-29-96
A	ADDED ST-5	C DAY	6-3-94
LETTER	REVISION	BY	DATE

DO NOT SCALE DRAWING		DISC FILE 1F-19F	MATERIAL	 <b>FLOW EZY FILTERS, INC.</b> ANN ARBOR, MICHIGAN 48106	TITLE <b>ST SERIES TANK MOUNTED SUCTION STRAINER</b>	
UNLESS OTHERWISE SPECIFIED DIMENSIONS ARE IN INCHES		ASS'Y REF.			ITEM NO.	SHEET OF
TOLERANCES				DRAWING NO.	REV. D	
3 PLACE DEC. ±	2 PLACE DEC. ±	OTHER ±	ANGULAR ±	11181-15		
MACHINED SURFACES ✓		DEBURR ALL EDGES .002 TO .007 FILLETS .01 TO .02 RADIUS		SCALE NONE		
		DR. C DAY DATE 10-30-90				
		CH. DATE				