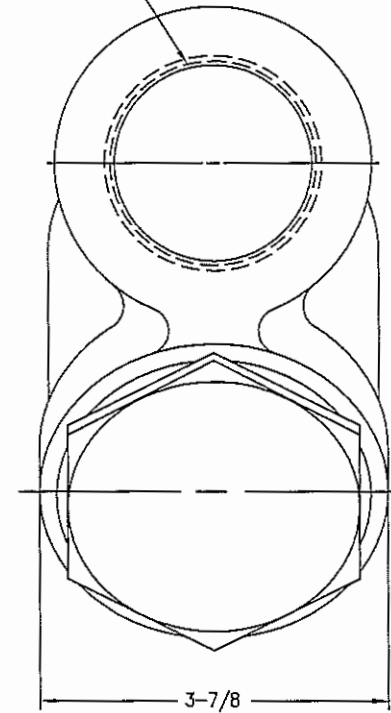


SEE CHART FOR PORT SIZE



MODEL CODE

MODEL	PORT THREADS		MICRON	SEALS	BY PASS VALVE	MAGNETS	INDICATOR
	NPT	SAE					
Y-45	NO SYMBOL 2"	ST 2-1/2-12 UN-2B	595	NO SYMBOL BUNA N	2 PSI	NO SYMBOL NONE	NO SYMBOL NONE
			238		3 PSI		S SUCTION LINE
			149		5 PSI		SM SUCTION WITH MEMORY
			74	F3 VITON	M MAGNETS	R RETURN LINE	
			40				
			25				

MODEL NUMBER EXAMPLE: Y45-149-F3-5-M-S -A1

MATERIAL OF CONSTRUCTION:  
HOUSING - CAST IRON (E-COATED)  
ELEMENT - 304 STAINLESS STEEL  
ELEMENT SCREEN AREA = 125 SQ INCHES

LETTER		REVISION		BY	DATE
DO NOT SCALE DRAWING		DISC FILE 09 ZEP-1		MATERIAL SEE NOTES	
UNLESS OTHERWISE SPECIFIED DIMENSIONS ARE IN INCHES		ASSY REF.		TITLE	
TOLERANCES		DR. D BALL		Y-45 FILTER OUTLINE	
3 PLACE DEC. ±	2 PLACE DEC. ±	ORDER ±	ANGULAR ±	ITEM NO.	
MACHINED SURFACES		DATE 07-17-08		DRAWING NO.	
DEBURRS ALL EDGES - ONE TO JOG		DATE		10062-CR	
RADIUS		SCALE		SHEET OF REV.	
✓		ANN ARBOR, MICHIGAN 48106		48106	