

FJV-5 Series High Pressure T-Type Filter Assemblies

Features

- High collapse 4500 psid (310 bard) filter element using SWIFFFELT™ 316 stainless steel medium
- Flows to 100 gpm (378 lpm)
- Port sizes: 1 1/2" NPT, 2" NPT
(Other line sizes available, consult factory)

Notes and Specifications

Maximum working pressure:
5,000 psi (344 bar)

Proof pressure:
6000 psi (413 bar)

Burst pressure:
Consult factory

Temperature rating:
-100° (-73°C) to 500° (260°C)

Materials of Construction:

- Head and Body: 304 Stainless Steel standard (316, 17-4PH, Hastelloy® and others available)
- Seal material: Fluorocarbon (Viton®) (Teflon® and Kalrez® and other compounds also available)
- Filter element collapse pressure: 4500 psid (310 bard)
- Element construction: SWIFTMESH™ all 316 stainless steel (no resin binders) medium, 304 stainless steel end caps

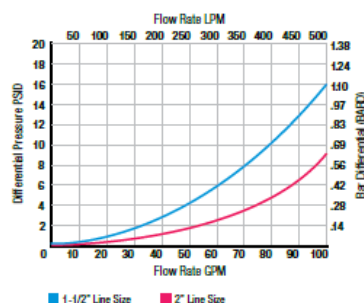


Pressure Drop Information

Housing Pressure Drop
Fluid at 15cSt(77.5 SUS), 0.8572 S.G.

Housing pressure bar drop is directly proportional to specify gravity.

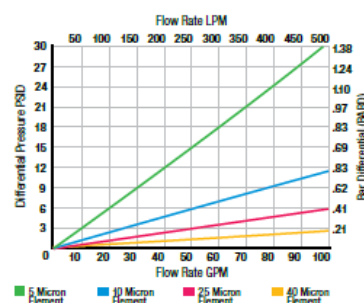
FJV-5 Series Housing



Element Pressure Drop
Fluid at 15cST(77.5 SUS), 0.8572 S.G.

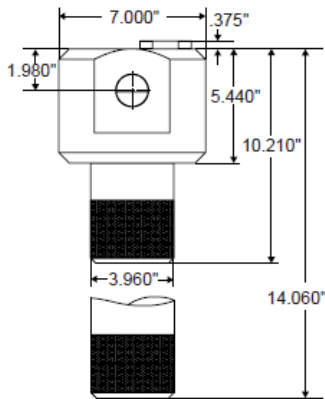
Correct for other fluids by multiplying new viscosity in cSt/5 (SUS/77.5) x new S.G./0.8572

FJE-5 Series Element

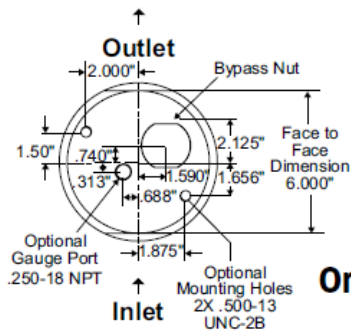


Dimensional Drawings

Front View



Top View



Ordering Information for Standard High Pressure T-type Filter Assemblies

FJV	Series	Bypass	Port Size*	Gauge Port	Bowl Size	Seal	Options	Material														
	5			<table border="1"> <tr><td>N=</td><td>NONE</td></tr> <tr><td>VG=</td><td>VISUAL</td></tr> <tr><td>EG=</td><td>ELECTRICAL</td></tr> </table>	N=	NONE	VG=	VISUAL	EG=	ELECTRICAL		<table border="1"> <tr><td>V=</td><td>VITON®</td></tr> <tr><td>T=</td><td>TEFLON®</td></tr> <tr><td>K=</td><td>KALREZ®</td></tr> </table>	V=	VITON®	T=	TEFLON®	K=	KALREZ®		OMIT= 304SS		
N=	NONE																					
VG=	VISUAL																					
EG=	ELECTRICAL																					
V=	VITON®																					
T=	TEFLON®																					
K=	KALREZ®																					
		<table border="1"> <tr><td>X=</td><td>NONE</td></tr> <tr><td>B=</td><td>500 PSID</td></tr> </table>	X=	NONE	B=	500 PSID																
X=	NONE																					
B=	500 PSID																					
			<table border="1"> <tr><td>A05 =</td><td>1.5" NPT</td></tr> <tr><td>A06 =</td><td>2" NPT</td></tr> <tr><td>C03 =</td><td>1.5" CODE 61 (FLANGE CONNECTION)</td></tr> </table>	A05 =	1.5" NPT	A06 =	2" NPT	C03 =	1.5" CODE 61 (FLANGE CONNECTION)			<table border="1"> <tr><td>S=</td><td>STANDARD</td></tr> <tr><td>E=</td><td>EXTENDED</td></tr> </table>	S=	STANDARD	E=	EXTENDED		<table border="1"> <tr><td>OMIT=</td><td>NO OPTIONS</td></tr> <tr><td>MH=</td><td>MOUNTING HOLES</td></tr> </table>	OMIT=	NO OPTIONS	MH=	MOUNTING HOLES
A05 =	1.5" NPT																					
A06 =	2" NPT																					
C03 =	1.5" CODE 61 (FLANGE CONNECTION)																					
S=	STANDARD																					
E=	EXTENDED																					
OMIT=	NO OPTIONS																					
MH=	MOUNTING HOLES																					

Example:

FJV-5-X-A05-N-E-V

This would be the part number for a standard Series 5 T-type Filter Assembly with a 304 stainless steel housing with no bypass, a 1-1/2" NPT port, no gauge port, extended bowl and Viton® seal.

* Other port sizes and material available, consult factory.
 Viton, Teflon and Kalrez are registered trademarks of E.I. du Pont de Nemours and Company or its affiliates.
 Hastelloy is a registered trademark of Haynes International, Inc.

Ordering Information for High Pressure Filter Elements

FJE	Series	Micron	Length										
	5												
		<table border="1"> <tr><td>3</td></tr> <tr><td>5</td></tr> <tr><td>10</td></tr> <tr><td>20</td></tr> <tr><td>40</td></tr> <tr><td>60</td></tr> </table>	3	5	10	20	40	60	<table border="1"> <tr><td>OMIT=</td><td>STANDARD LENGTH</td></tr> <tr><td>E=</td><td>EXTENDED LENGTH</td></tr> </table>	OMIT=	STANDARD LENGTH	E=	EXTENDED LENGTH
3													
5													
10													
20													
40													
60													
OMIT=	STANDARD LENGTH												
E=	EXTENDED LENGTH												

Note: All extended length bowls/sumps require an extended length filter element.

Example:

FJE-5-10E

This would be the part number for a Metal Felt Filter Element made with 316L stainless steel filament with 10 micron media to fit a Series 5 T-type Housing with an extended length bowl.