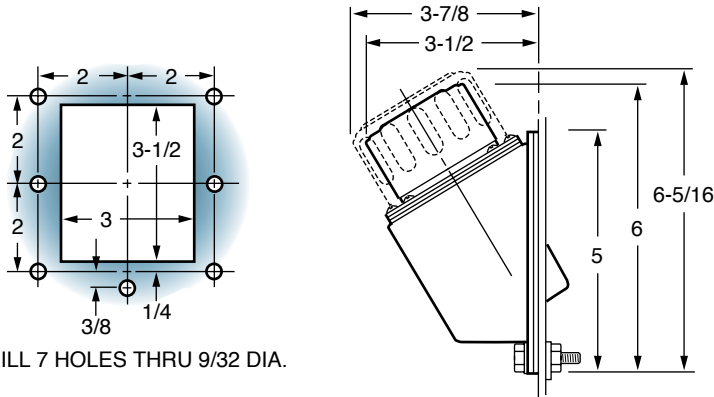


SIDE-MOUNTING UNITS



DRILL 7 HOLES THRU 9/32 DIA.

Where top surfaces are not available for locating a filler port, this unit mounts on vertical tank walls. The housing is tough, glass-reinforced nylon. It's only available with a 3-in. deep basket (and optional inner guard). The only other options are the 3-in. dipstick, the lockable cap, and powder coated cap.

HOW TO ORDER SIDE-MOUNTED UNITS

Select the desired specifications from the ordering table and build an ordering code number, as shown in this example:

AM - 1100 - 3 - G - LL - DS - BPC
 CAP - ELEMENT - BASKET - GUARD - Lockable - Dipstick - Black Powder Coated
(omit if not wanted)

CAP Type	ELEMENT (Micron)	BASKET Depth (in.)	Inner GUARD	Lock Lugs	Dipstick*	Black Powder Coated Cap
AM (std)	1100 (40)	3 (only)	no symbol (no guard)	LL	DS	BPC
AMG (grip type)	1110 (10)		G (guard)			

*No chain unless specifically ordered.



Black powder coated lockable Cap



Shown with grip type cap